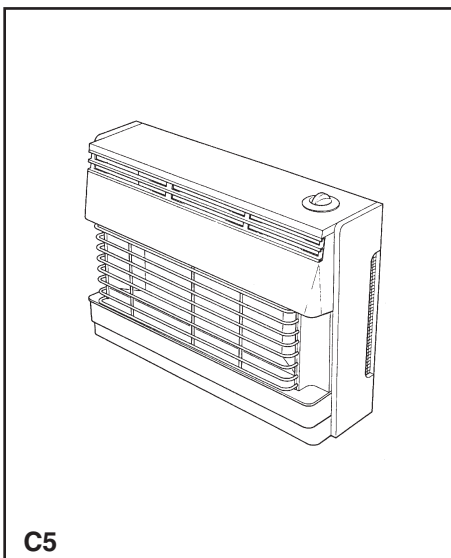
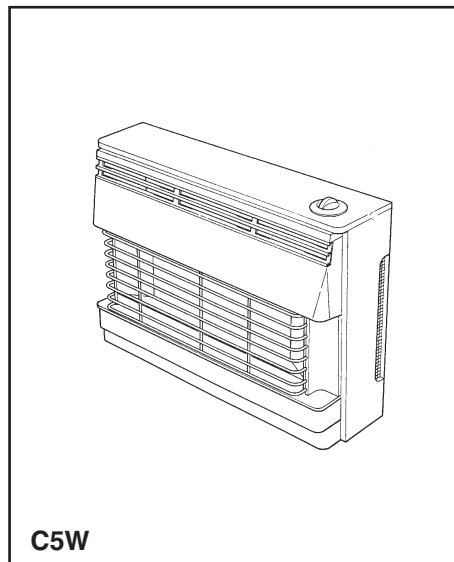
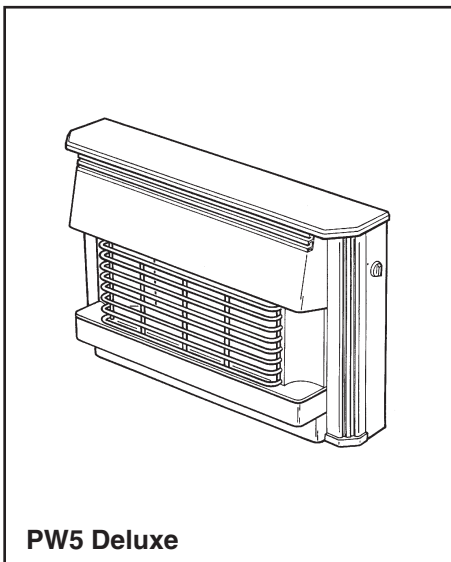


Please keep these Instructions safe.  
Should you move house, please hand  
them over to the next occupier.

# Baxi Bermuda PW5 Deluxe/C5/C5W

Fireside Gas Central Heating Unit

## User's Operating Instructions



**BAXI**

## Natural Gas

---

**Baxi Bermuda PW5 Deluxe**

G.C.No. 37 077 68

**Baxi Bermuda C5**

G.C.No. 37 077 65

**Baxi Bermuda C5W (Oak)**

G.C.No. 37 077 66

**Baxi Bermuda C5W**

G.C.No. 37 077 67

**For use with the following boilers:**

**Baxi Bermuda 45/4 M**

G.C.No. 44 077 71

**Baxi Bermuda 45/4 E**

G.C.No. 44 077 73

**Baxi Bermuda 57/4 M**

G.C.No. 44 077 72

**Baxi Bermuda 57/4 E**

G.C.No. 44 077 74

**Baxi Bermuda 51/5**

G.C.No. 44 075 06

Baxi is one of the leading manufacturers of domestic heating products in the UK.

Our first priority is to give a high quality service to our customers. Quality is built into every Baxi product - products which fulfil the demands and needs of customers, offering choice, efficiency and reliability.

To keep ahead of changing trends, we have made a commitment to develop new ideas using the latest technology - with the aim of continuing to make the products that customers want to buy.

Everyone who works at the company has a commitment to quality because we know that satisfied customers mean continued success.

We hope you get a satisfactory service from Baxi. If not, please let us know.

## Propane Gas

---

**Baxi Bermuda C5 Propane**

G.C.No. 37 077 74

**Baxi Bermuda C5W (Mahogany) Propane**

G.C.No. 37 075 17

**For use with the following boiler:**

**Baxi Bermuda 553 Propane**

G.C.No. 44 077 75

## Renewal

---

**Baxi Bermuda PW5 Deluxe Renewal**

G.C.No. 37 075 10A

**Baxi Bermuda C5 Renewal**

G.C.No. 37 075 07A

**Baxi Bermuda C5W (Oak) Renewal**

G.C.No. 37 075 08A

**Baxi Bermuda C5W (Mahogany) Renewal**

G.C.No. 37 075 09A

**For use with the following boilers:**

**Baxi Bermuda 401**

G.C.No. 44 077 49

**Baxi Bermuda 552**

G.C.No. 44 077 50

**Baxi Bermuda 45/3 M**

G.C.No. 44 077 61

**Baxi Bermuda 45/3 E**

G.C.No. 44 077 60

**Baxi Bermuda 57/3 M**

G.C.No. 44 077 63

**Baxi Bermuda 57/3 E**

G.C.No. 44 077 62

**Baxi Bermuda 45/4 M**

G.C.No. 44 077 71

**Baxi Bermuda 45/4 E**

G.C.No. 44 077 73

**Baxi Bermuda 57/4 M**

G.C.No. 44 077 72

**Baxi Bermuda 57/4 E**

G.C.No. 44 077 74

**Baxi Bermuda 51/5**

G.C.No. 44 075 06



Baxi is a BS-EN ISO 9001  
Accredited Company

**Codes of Practice**, most recent version should be used

**In GB the following Codes of Practice apply:**

<b>Standard</b>	<b>Scope</b>
BS 6891	Gas Installation.
BS 5546	Installation of hot water supplies for domestic purposes.
BS 5871	Installation of gas fires, convectors and fire/back boilers.
BS 5440 Part 1	Flues.
BS 5440 Part 2	Ventilation.
BS 6798	Installation of gas fired hot water boilers.
BS 5449 Part 1	Forced circulation hot water systems.

**In IE the following Codes of Practice apply:**

<b>Standard</b>	<b>Scope</b>
I.S. 813	Domestic Gas Installations.
The following BS standards give valuable additional information;	
BS 5546	Installation of hot water supplies for domestic purposes.
BS 5449 Part 1	Forced circulation hot water systems.

**IMPORTANT** - The addition of anything that may interfere with the normal operation of the appliance without express written permission from the manufacturer or his agent could invalidate the appliance warranty. In GB this could also infringe the **GAS SAFETY** (Installation and Use) **REGULATIONS**.

#### **IMPORTANT - Installation, Commissioning, Service & Repair**

This appliance must be installed in accordance with the manufacturer's instructions and the regulations in force. Read the instructions fully before installing or using the appliance.

In GB, this must be carried out by a competent person as stated in the Gas Safety (Installation & Use) Regulations.

Definition of competence: A person who works for a CORGI registered company and holding current certificates in the relevant ACS modules, or valid ACoP equivalents, is deemed competent.

In IE, this must be carried out by a competent person as stated in I.S. 813 "Domestic Gas Installations".

#### **"Benchmark" Installation, Commissioning and Service Record Log Book**

Please ensure that your installer has completed the Installation and Commissioning sections of the Log Book and hands the Log Book over. The details of the Log Book will be required in the event of any warranty work. Keep the Log Book in a safe place and ensure that the relevant sections are completed at each subsequent regular service visit.

All CORGI registered installers carry a CORGI identification card and have a registration number. Both should be recorded in your boiler Log Book. You can check your installer is registered by telephoning +44 (0)1256 372300 or writing to:-  
1 Elmwood,  
Chineham Business Park,  
Crockford Lane,  
Basingstoke. RG24 8WG

# Warnings

## Safe Installation

**The appliance is suitable only for installation in GB and IE and should be installed in accordance with the rules in force.**

In GB, the installation must be carried out by a CORGI Registered Installer. It must be carried out in accordance with the relevant requirements of the:

- Gas Safety (Installation & Use) Regulations.
- The appropriate Building Regulations either The Building Regulations, The Building Regulations (Scotland), Building Regulations (Northern Ireland).
- The Water Fittings Regulations or Water Byelaws in Scotland.
- The Current I.E.E. Wiring Regulations.

Where no specific instructions are given, reference should be made to the relevant British Standard Code of Practice.

In IE, the installation must be carried out by a competent Person and installed in accordance with the current edition of I.S. 813 'Domestic Gas Installations', the current Building Regulations and reference should be made to the current ETCI rules for electrical installation.

**Read the instructions before installing or using this appliance.**

**Never hang clothes or other items over the appliance.**

## In case of gas leaks

1. **If a gas leak is found or suspected**, turn off the gas supply at the meter immediately and call your gas supplier.

## Servicing your boiler

1. We strongly recommend that your Bermuda is serviced annually by a competent person for economic and safety reasons. Your Installer will be able to advise you.

## Electricity supply

### **1. THIS APPLIANCE MUST BE EARTHED**

A standard 230 volt ~ 50Hz supply is required. The appliance must be protected by a 3 amp fuse.

## Fault

1. If it is either known or suspected that a fault exists on the appliance, it **must not be used** until the fault has been corrected by a competent person.

## Introduction

Your Baxi Bermuda PW5 Deluxe, C5 or C5W is a central heating boiler combined with a gas fire. Normally the fire will heat the room in which it is situated and the boiler will provide heating for the rest of the house and also domestic hot water if required. The boiler and fire are independently controlled.

The boiler may be controlled by an external programmer or clock control (see separate instructions with the clock controller used). The fire is controlled by the knob which is located on the right hand side of the outer case (PW5 Deluxe model) on top of the outer case (C5/C5W models).

### Important Notice

The Bermuda C5 Propane & C5W (Mahogany) Propane are for use on **PROPANE GAS ONLY** and cannot be used on any other gas.

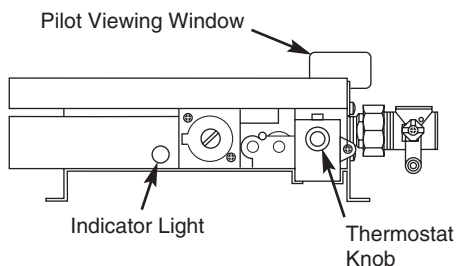
Propane appliances can be converted to operate on Natural Gas if required at a later date. Consult your Installer.

### WARNING

Bermuda PW5 Deluxe, C5 and C5W Renewal Firefronts **MUST NEVER** be fitted as independent gas fires without the boiler.

**NOTE:** When your Bermuda is first used it is possible that certain smells may be emitted. These smells will quickly clear with use.

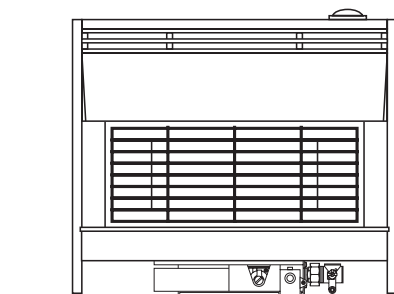
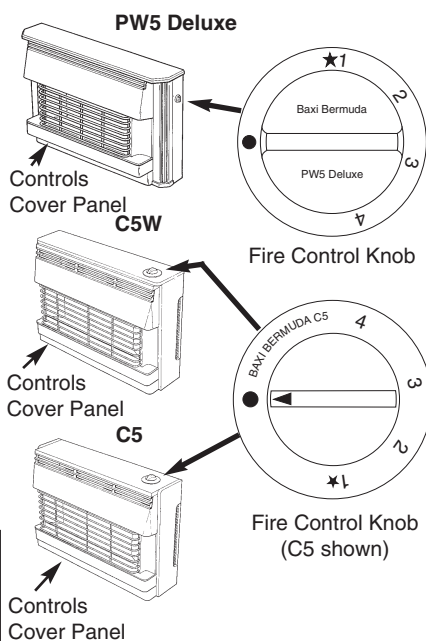
Most heating appliances generate warm air convection currents and transfer heat to any wall surface against which they are situated. Some soft wall furnishings (such as blown vinyl wallpapers) may not be suitable for use where they are subjected to temperatures above normal room levels. The manufacturers advice should be sought before using this type of wall covering adjacent to any heating appliance. The likelihood of wall staining from convected air currents will be increased in environments where high levels of tobacco smoke or other contaminants exist.



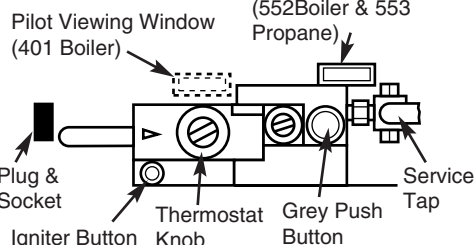
### Electronic Controls Boiler

(51/5)

## OPERATING THE UNIT

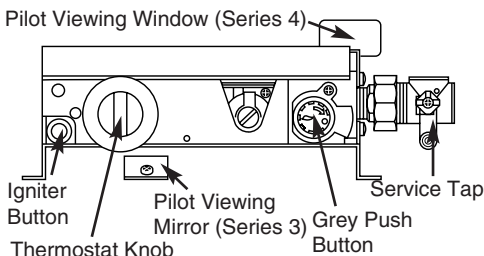


Pilot Viewing Window (552 Boiler & 553 Propane)



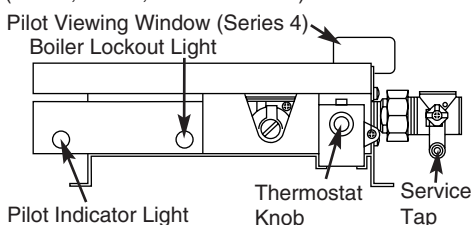
### Manual Controls Boiler

(401, 552 & 553 Propane)



### Manual Controls Boiler

(45/3M, 57/3M, 45/4M & 57/4M)



### Electronic Controls Boiler

(45/3E, 57/3E, 45/4E & 57/4E)

**1** Push in and turn the fire control knob to the OFF position (●).

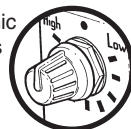
**2** Remove the controls cover panel at the bottom of the fire by grasping it firmly by its side edges and pulling forwards.

**3** Turn the boiler thermostat knob to the OFF position (●).

Manual Controls Boiler



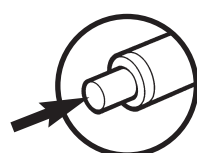
Electronic Controls Boiler



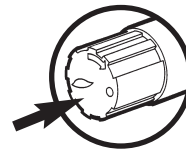
**4** Ensure the main gas and electricity supplies are turned on.

**5 TO LIGHT THE BOILER PILOT: (Manual Controls Boiler)** Hold in the grey push button on the gas control valve. Looking through the pilot viewing window or mirror: Press the igniter button and release. Repeat until the pilot lights. Continue to hold in the grey push button for a further 15 seconds. The pilot should stay alight.

**NOTE:** If the pilot fails to remain alight or is extinguished at any time, wait at least 3 minutes then repeat step 5. Once the pilot is alight it may be left on permanently.



Igniter Button



Grey Push Button

**6 TO LIGHT THE BOILER: (Manual Controls Boiler)** Ensure that all external controls, e.g. room thermostat, timer etc., are calling for heat. Turn the boiler thermostat knob to the desired position.

**7 TO LIGHT THE BOILER: (Electronic Controls Boiler)** Ensure that all external controls, e.g. room thermostat, timer etc., are calling for heat. To operate the pilot turn the thermostat knob to the desired position. The indicator light on the control box will illuminate once the pilot is lit. The burner will also light shortly after the pilot has been established.

**7 TO LIGHT THE BOILER: (Electronic Controls Boiler)**

Ensure that all external controls, e.g. room thermostat, timer etc., are calling for heat. To operate the pilot turn the thermostat knob to the desired position. The indicator light on the control box will illuminate once the pilot is lit. The burner will also light shortly after the pilot has been established.

**To adjust the boiler temperature:**

Turn the boiler thermostat knob clockwise to the required setting. The optimum boiler thermostat setting depends upon type of system, external controls and your requirements. Your Installer will be able to advise you on this matter.

**If the boiler cannot be lit by the above method consult your Service Engineer.**

## 8 RESETTING THE BOILER: (Electronic Controls Boiler)

(45/3E, 57/3E, 45/4E & 57/4E)

If the boiler lockout light is illuminated it is necessary to reset the appliance. To do this turn the boiler thermostat control knob fully anti-clockwise to the OFF position and wait 10 seconds. Turn the control knob to the required setting. The boiler will commence sparking providing the water temperature is sufficiently cool.

(51/5)

If the indicator light is illuminated red/or flashing red, it is necessary to reset the appliance. To do this turn the boiler thermostat control knob fully anticlockwise to the OFF position and wait until the light shows orange. Turn the control knob clockwise to the required setting. The boiler will commence the ignition sequence.

## 9 TO LIGHT THE FIRE:

Push in and turn the fire control knob slowly anti-clockwise to the positive stop at position "★ 1". Just before position "★ 1" is reached, a click will be heard and the burner should light, hold in the control knob for approx 15 seconds, release and turn to desired position. If the burner fails to light, turn the control knob to the OFF position (●) and repeat until the burner lights. Continue to hold in the control knob for a further 15 seconds. Release slowly and the burner should stay alight.

**CAUTION** - If the burner does not light or stay alight, or if the flame goes out for any reason, turn the control knob to the OFF position (●) and wait for 3 minutes before attempting to light the burner.

**NOTE:** An electrical supply is not needed to ignite the fire.

**CONTROL KNOB POSITIONS:** The control knob has five positions giving a choice of 4 settings, i.e.

- Position ● - OFF
- Position ★ 1 - IGNITION/PILOT
- Position 1 - LOW
- Position 2 - MED
- Position 3 - MED/HIGH
- Position 4 - HIGH

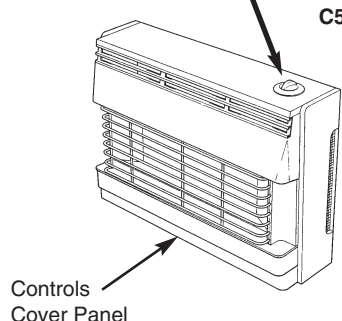
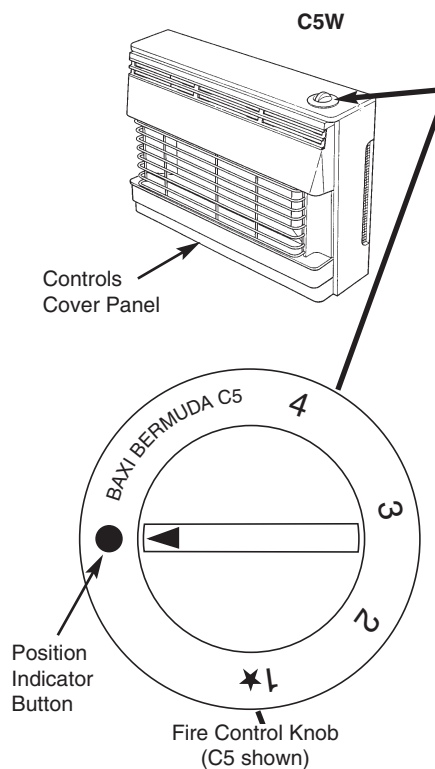
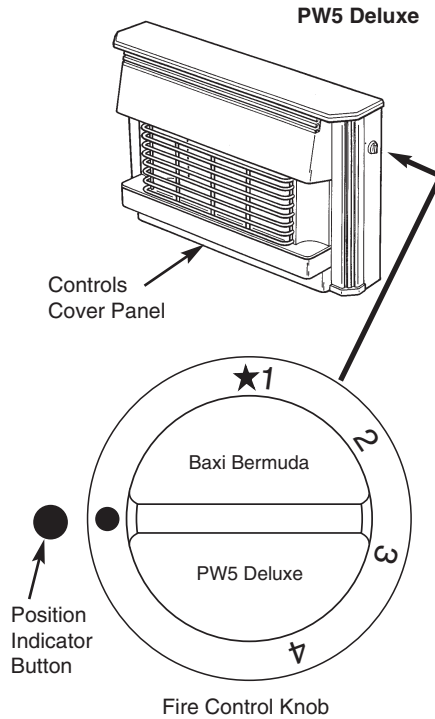
To adjust the fire to the required setting, push in the control knob and turn in the appropriate direction.

There is no 'Pilot Only' position-the pilot and burner low rate light simultaneously at position ★ 1.

When the control knob is turned from ★ 1 to ● the pilot is extinguished.

## 10 TO TURN THE FIRE OFF:

Push in the control knob and turn clockwise to the OFF position (●).



## TO SHUT DOWN THE BOILER

Turn the fire control knob to the OFF position (●), and allow the fire to cool.

Remove the controls cover panel at the bottom of the fire by grasping it firmly by its side edges and pulling forwards.

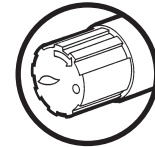
**To switch the boiler off for short periods. (Manual Controls Boiler)**

Turn the boiler thermostat knob to the OFF position (●). The pilot will remain alight.

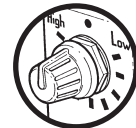


**To switch the boiler off for long periods. (Manual Controls Boiler)**

Turn the grey push button clockwise and release. Turn the boiler thermostat knob to the OFF position (●).



**To switch the boiler off. (Electronic Controls Boiler)** Turn the thermostat knob to the OFF position (●).



If you are shutting down both the fire and boiler, isolate the electrical supply that serves the system controls i.e. Timer/Programmer.

Replace the controls cover panel.

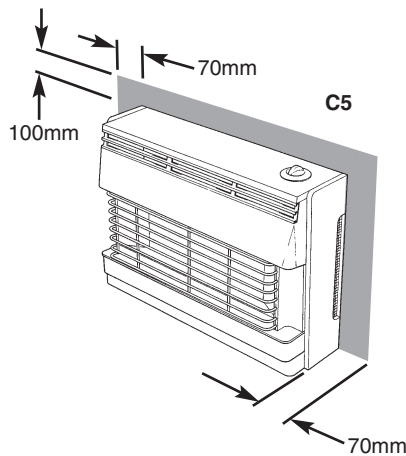
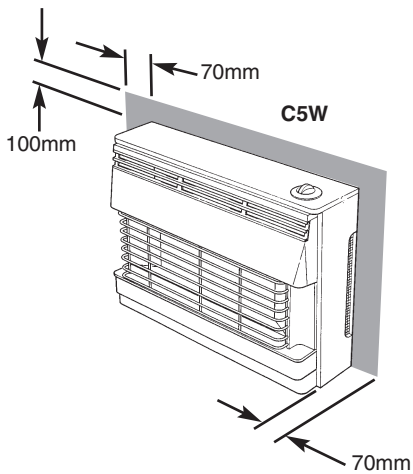
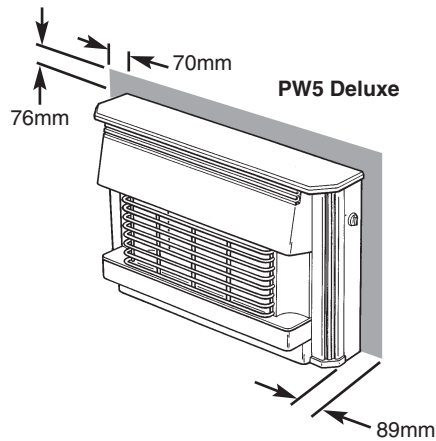
**NOTE:** If the boiler is left off for long periods during cold weather, it is recommended that the whole system is drained to avoid frost damage. Advice on draining the system can be obtained from your Service Engineer.

The minimum clearance spaces around the Baxi Bermuda PW5 Deluxe are:

Top: 76mm (3 in)  
 Side: 89mm (3½ in) at right  
 70mm (2¾ in) at left

Clearances for C5 & C5W are:

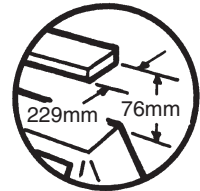
Top: 100mm (4 in)  
 Sides: 70mm (2¾ in)



## CLEARANCES AROUND THE FIRE

These clearances must not be reduced or obstructed in any way.

All clearances are essential in order to allow correct servicing of the appliance and access to the fire control knob.



A shelf may be fitted not less than 76mm (3 in) (100mm (4 in) for C5 & C5W) above the fire and not more than 229mm (9 in) in depth.

## SPARE PARTS

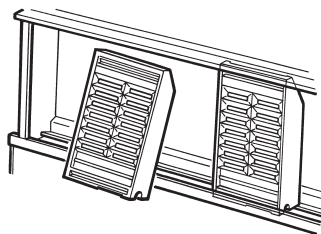
Any repairs to the appliance during the guarantee period, will usually be the responsibility of the installer after which, spare parts may be obtained through an approved Baxi stockists.

The spare parts available and their relevant part numbers and G.C. numbers can be found at the back of the installation and servicing instructions booklet.

The appliance name, serial number and G.C. number, which are on the data badge, should always be quoted. The data badge is visible on the left hand fire support leg when the controls cover panel is removed.

## REMOVAL OF DRESSGUARD

With the appliance cold, remove the dressguard by disengaging the top pin from the canopy and the bottom pin from the reflector. Flex the dressguard outwards to disengage one side pin and remove. To replace the dressguard locate one side pin in the reflector and flex the dressguard outwards to locate the other side pin. Locate the bottom pin in the reflector and the top pin on the canopy. The guard is to prevent risk of fire or injury from burns and should not be permanently removed. It does not give full protection for young children or the infirm: in such cases we recommend a nursery type guard which conforms to BS 6539.



Removing a Radiant

## TO FIT A NEW RADIANT PLAQUE

Remove the dressguard. Lift the radiant up until its base is clear of the metal lip, pull the base forward over the lip and lower the radiant out of the frame. Fit the new radiant by putting the top of the radiant in position, lifting the radiant over the metal lip and then lowering onto its support at the back bottom edge of the radiant. Check that the new radiant lines up with the existing radiants to ensure that it has been fitted correctly. The lower front edge should be flush against the radiant support rail.

**IMPORTANT: Radiant plaques suitable for use with A.S.D. equipped fires must be used. These are Baxi Part No. 237851.**

**Radiant plaques for older models of the fire (Part No. 043025) must not be used as they prevent correct operation of the A.S.D.**

## IGNITION WITH A MATCH

Ensure that the fire is cold.

Apply a lighted taper or match to either of the centre two radiants. Push in and turn the fire control knob anti-clockwise to the positive stop at position "★1" and the burner and pilot should light. Continue to hold in the control knob for a further 15 seconds. Release slowly and the burner and pilot should stay alight.

**CAUTION** - If the burner does not light or stay alight, or if the flame goes out for any reason, turn the control knob to the OFF position (●) and wait for 3 minutes before attempting to light the burner.

## CLEANING THE FIRE

Ensure that the fire is cold. The painted panels and metalwork should be wiped with a damp cloth and dried thoroughly with a lint-free cloth. The chromed reflector should be cleaned occasionally with a good quality metal polish. The side panels may be cleaned occasionally with furniture polish.

## SURROUND OR WALL FINISH

The surround or wall finish must have a flat vertical area centrally placed about the opening.

If a surround is fitted, any gaps between it and the wall must be sealed and it must have a rating of 100° C or higher.

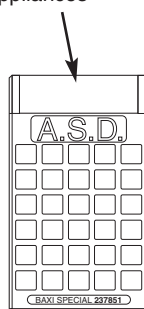
## PILOT / A.S.D.

Both the boiler and firefront are fitted with a pilot light that also acts as an Atmospheric Sensing Device. This means that in the event of the flow of gases out of the flue being interrupted, the pilots will extinguish and shut the fire and boiler down. If this occurs persistently your Service Engineer should be contacted immediately.

**Renewal firefronts are fitted with an Atmospheric Sensing Device (A.S.D.). If they are installed in conjunction with a boiler NOT fitted with an A.S.D. (i.e. 401, 552, 45/3 & 57/3), under adverse flue conditions the boiler WILL NOT shut down.**

**It is important that the appliance is regularly serviced to ensure correct operation of the Atmospheric Sensing Device.**

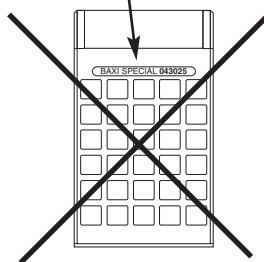
This radiant type **MUST** be used on PW5 Deluxe, C5 & C5W appliances



BAXI SPECIAL 237851

Radiant Plaque Identification  
(viewed from rear of radiant)

BAXI SPECIAL 043025



**DO NOT** fit a radiant of this type to PW5 Deluxe, C5 & C5W appliances

## Guarantee

1. Your Baxi Bermuda is designed and produced to meet all the relevant Standards.
2. Baxi provide a 3 year guarantee on the Bermuda - other parts of the system are covered by the Installer or other manufacturers. The guarantee operates from the date installation is completed for the customer who is the original user.
3. To maximise the benefit from our guarantee we urge you to return the reply-paid guarantee registration.
4. This does not in any way prejudice your rights at Common Law. Such rights between the customer and the installer or supplier from whom the unit was purchased remain intact.

**Any component or part which becomes defective during the guarantee period as a result of faulty workmanship or material whilst in normal use will be repaired or replaced free of charge.**